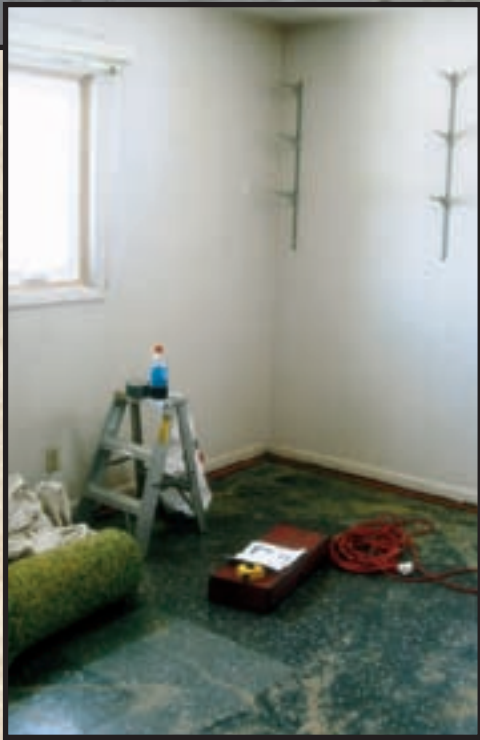


# DRESSING ROOM

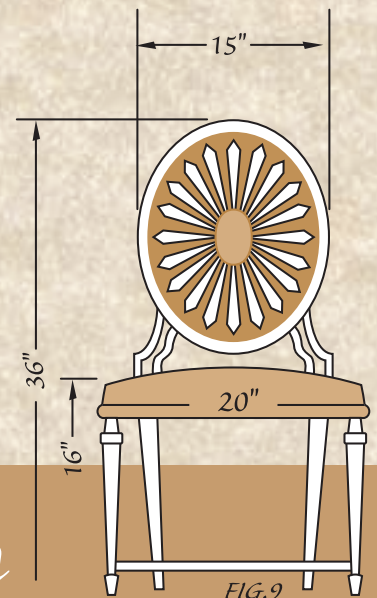


*After...*

New built-ins and additional closets transform this un-used room.

*Before...*

Clearing the second bedroom for a make-over.



*Susan Kelly Interior Design*